

MICA-101

10.4" Fanless Mobile Clinical Assistant

NEW

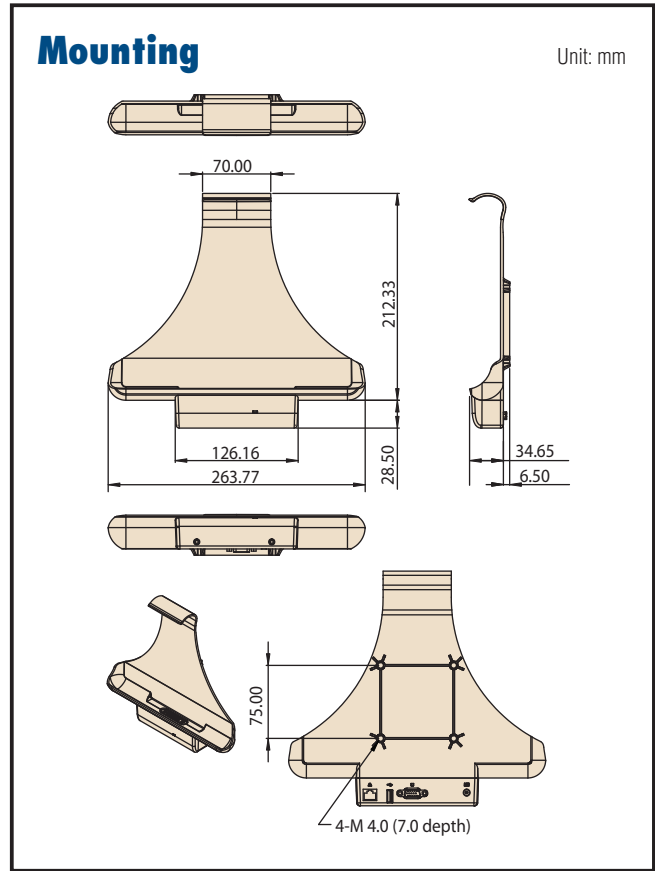
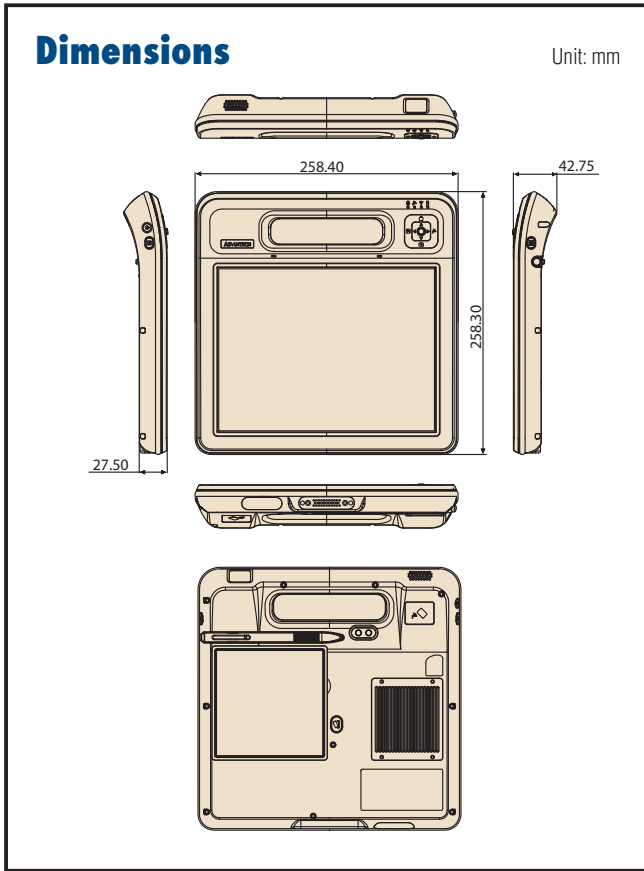


Features

- Fanless low-power system with Intel® Atom™ processor
- Dual resistive and digitizer panels for touch operation and digital pen recognition
- Compact size, lightweight, and rugged ergonomic design
- Certified IP54 dust and water-splash proof sealed system
- Easy connectivity with Wi-Fi, Bluetooth and optional 3.5 G mobile communication
- Patient and asset identification through integrated camera and RFID reader
- Optional image based barcode scanner (no lasers), webcam and finger print reader

Specifications

Computing System	Chipset	Intel Poulbso SCH
	CPU	Intel Atom Processor Z510 (1.1 GHz) / Z530 (1.6 GHz)
	Cache and FSB	512 KB on-die L2 cache and 400 MHz / 533 MHz FSB
	Memory	DDR2 667 MHz SODIMM (2 GB)
	Operating System	Windows Vista Business, Windows XP Professional or Windows XP Embedded, Windows XP Tablet PC Edition
Cooling		Fanless
Graphics	Controller	Intel Graphics Media Accelerator 500
	VRAM	8 MB
Storage	PATA HDD	1 x 1.8" PATA HDD with 60 GB capacity
	SSD	Optional, either SSD or PATA HDD
Display	Touch Panel	Dual – Digitizer & Resistive
	Display Type	10.4" XGA TFT LCD (1024 x 768)
	Max. Resolution	1024 x 768
	Max. Color	256 K (RGB 6-bit color data)
	Viewing Angle	90°/50°
	Luminance	260 cd/m ² (typical)
	Contrast Ratio	250 : 1 (typical)
Backlight Lifetime	50,000 hrs	
Communications	WIFI	Integrated Wireless 802.11 a/b/g/n connection
	Bluetooth	Integrated Bluetooth v2.0 + EDR
	3.5G module (Optional)	
Audio		Internal speaker x 1, Internal mono microphone x 2
Connectivity	I/O Port Interfaces	Power-in jack x 1, Docking connector x 1, mini USB port x 1
	Embedded I/O Devices	* 2.0 Mega pixel camera with auto-focus and one LED light * 13.56 MHz RFID with ISO15693 & ISO14443A/B and active tag function * 1D/2D and UDSI Barcode scanner (Optional) * Optional Integrated Fingerprint Reader or VGA camera for webcam (choose one)
Control Buttons		* Power button * Camera snapshot * RFID read trigger button * Barcode button * Screen lock button * 3 programmable buttons: P1 default setting for entering S3 mode, P2 default setting for WIFI on/off
System Indicators		Power x 1, WIFI x 1, RFID x 1, Bluetooth x 1
VESA Cradle Connectivity	I/O Interfaces	VGA, USB and LAN ports
Power Supply	AC Adapter In	100 - 240 V - 1.62 A 50/60 Hz
	AC Adapter Out	15 V, 4.2 A Max, 63 W
	Battery Type	Lithium-ion standard battery
	Battery Capacity	3760 mAh
	Battery Charge Time	2.5 hours
Battery Operating Time	5 - 6 hours	



Environment	Temperature	Operating: 0° C ~ 40° C, Storage: -20° C ~ 60° C
	Humidity	Operating: 10% ~ 90% @ 40° C non-condensing, Storage: 10% ~ 95% non-condensing
	Shock Resistance	Operating: 10 ~ 20 G, 11 ms, Non-operating: 50 G ,11 ms
	Water/Dust Resistance	IP54
	Drop Resistance	91 cm
Physical Characteristics	Dimensions (W x H x D)	258.4 x 258.3 x 42.75 mm
	Weight	1.5 Kg (3.3 lbs.)
Standards	Safety	FCC Part 15 Class B, UL, CUL, CE, CB60950, CCC, R&TTE (99/5/EC)
	Medical	UL60601-1, IEC/EN60601-1, CB60601-1, TUV
	Battery pack	UL2054 and UN38.3
Warranty		Standard 2 year warranty

Ordering Information

Part Number	CPU	Web camera	Barcode	RFID	Camera	OS
MICA-101-F21-A1E	1.6 GHz	-	Yes	Yes	Yes	XP Pro
MICA-101-F21-A2E	1.6 GHz	Yes	Yes	Yes	Yes	XP Pro
MICA-101-S11-A1E	1.1 GHz	-	-	Yes	Yes	XP Pro

Packing List

Description	Quantity
Stylus pen	1
Power adapter	1
Battery	1
USB Type A to Mini B Cable	1
Warranty card	1
Software CD (Drivers and Utility, Recovery OS, Recovery Image)	3



Ergonomic design



MICA-101 back side



MICA-101 with cradle



Back side of cradle